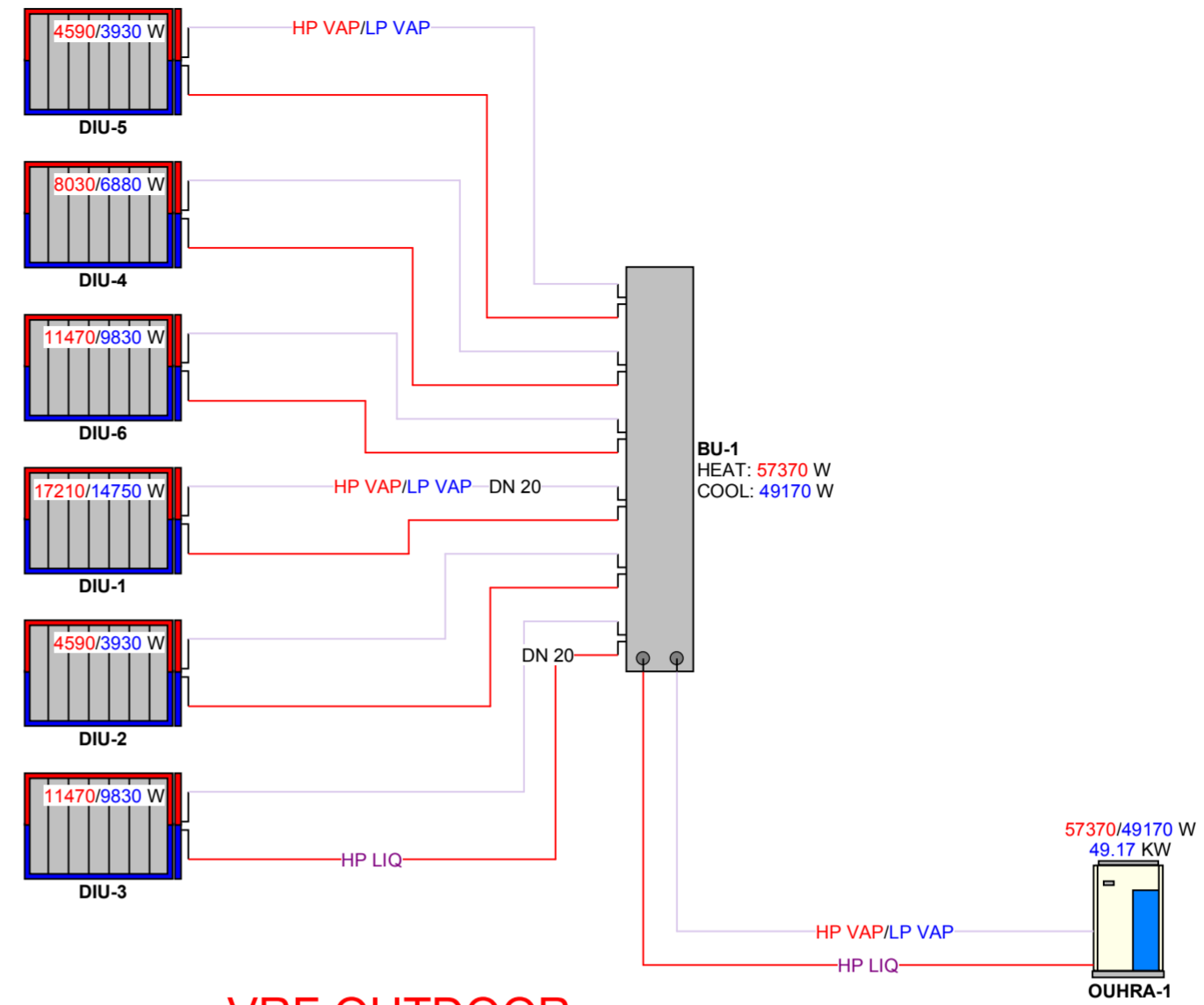
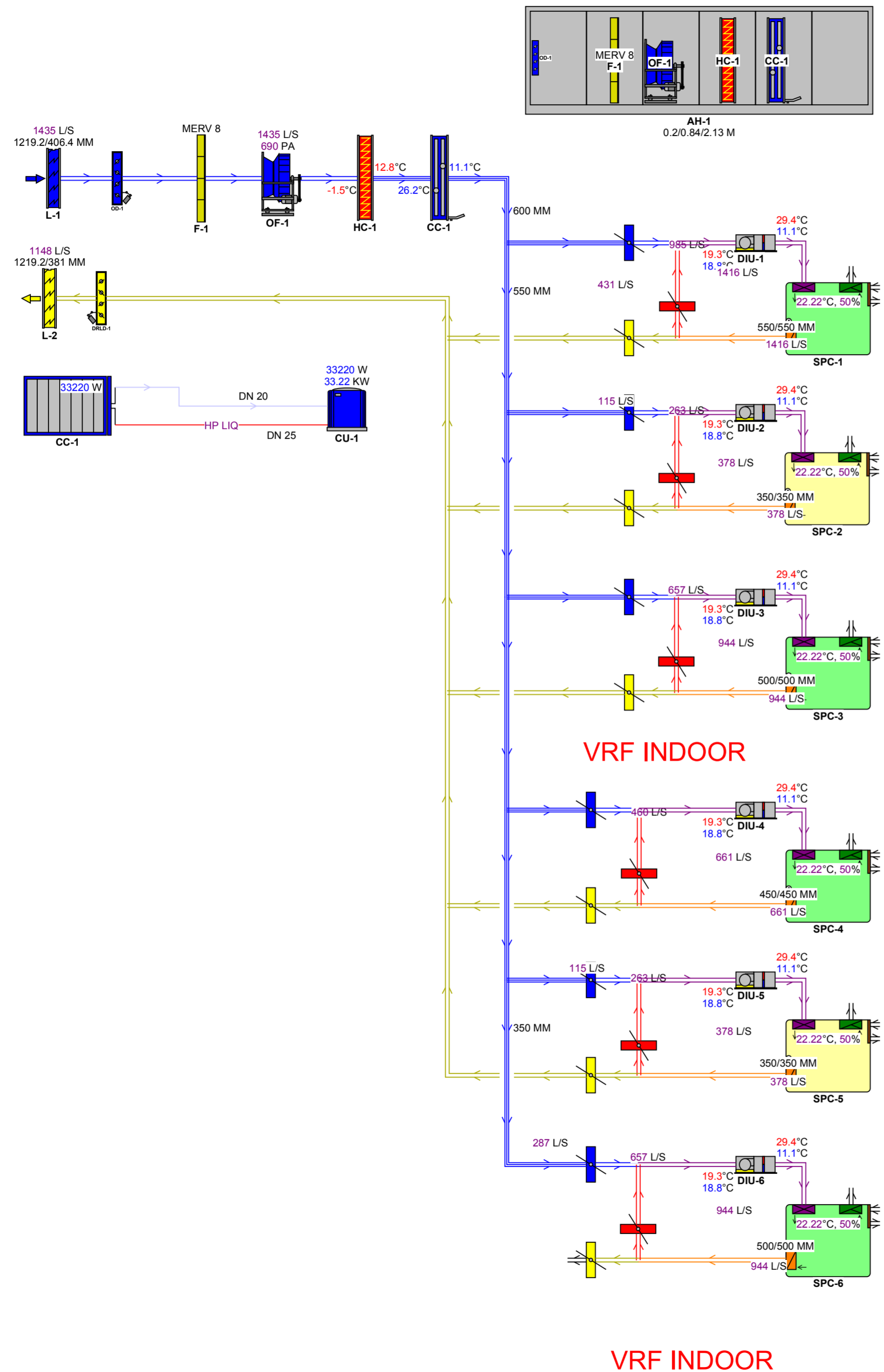


NAME:
LOCATION:



VRF INDOOR

VRF OUTDOOR

VRF INDOOR